

RELAX

BLAM

FRENCH SOUND

Driven by passion.

130 RFS

Speaker

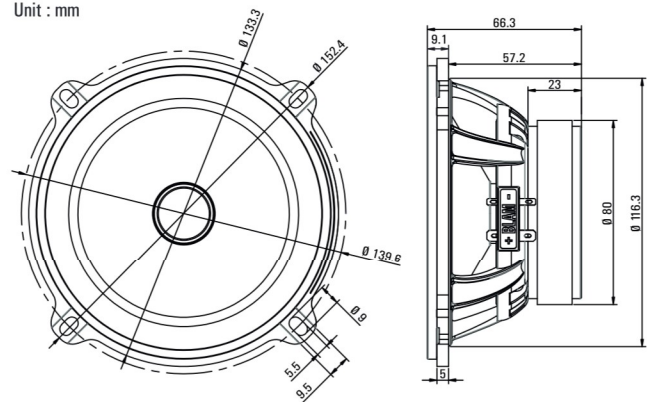
- 130mm (5.25") component
- Max. power 120 W / Nominal Power 60 W
- Frequency response 80 Hz - 28 kHz
- Impedance 2 Ω



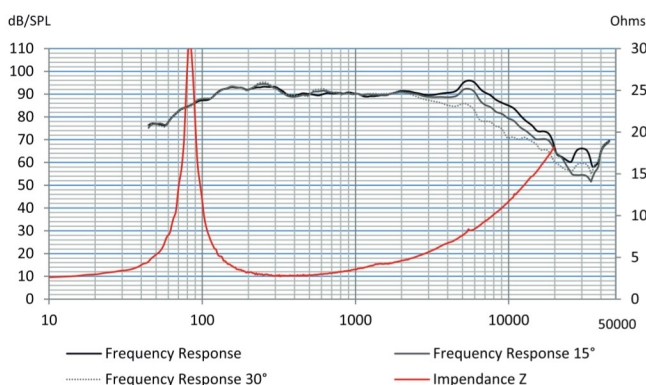
TECHNICAL SPECIFICATIONS

Component	Speaker	
Max power	120 W	
Nominal power	60 W	
Impedance	2 Ω	
Freq. Response	80 Hz - 10 kHz	
Sensitivity (2,83V/1m)	94 dB	
Magnet	Ferrite	
Motor size \varnothing x h	80 x 15 mm	3.1 "x 0.6 "
Total driver displacement	0.11 l	0.004 cf
Weight of one component	0.722 kg	1.592 lb
Voice coil \varnothing	25 mm	0.984"
Voice coil height	11.0 mm	0.433"
Cone	Cellulose pulp	

Unit : mm



FREQUENCY RESPONSE / IMPEDANCE



THIELE-SMALL PARAMETERS

effective \varnothing (d)	109 mm
Sd	93.31 cm ²
Xmax	3.5 mm
Re	2.58 Ω
Fs	83.25 Hz
Le	111.38 μ H @ 1 kHz
L2	185.85 μ H @10 kHz
Vas	5.77 L
Mms	7.75 g
Cms	0.471823 m/N
BL	4.14 Tm
Qts	0.56
Qes	0.61
Qms	6.75
Sensitivity	89 dB

contact@blam-audio.fr

www.facebook.com/blamaudio

www.blam-audio.com

RELAX

RT 20

Tweeter

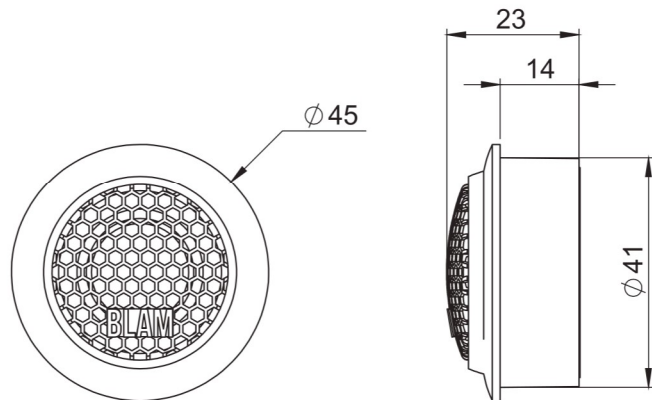


Driven by passion.

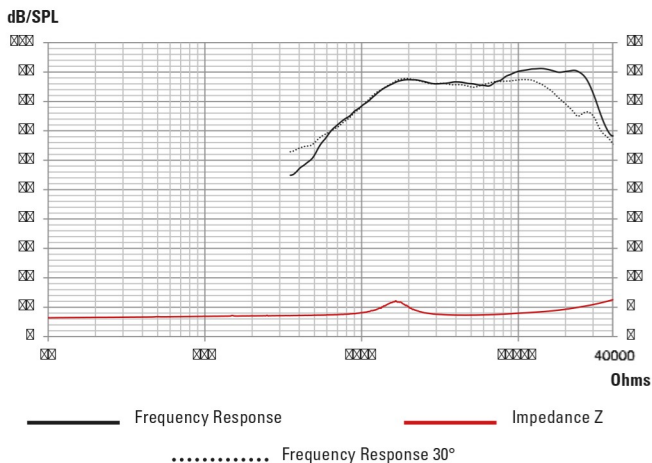
- High fidelity 20 mm soft dome tweeter
- High efficiency magnet (N38H neodymium)
- High quality special soft dome material
- Ferrofluid for high power handling

TECHNICAL SPECIFICATIONS

Component	Tweeter	
Max power	100 W	
Nominal power	10 W	
Impedance	3 Ω	
Freq. Response	2,5 KHz - 25 KHz	
Sensitivity (2,83V/1m)	90 dB	
Magnet	Neodymium	
Magnet size \varnothing x h	18 x 3 mm	0,709" x 0,118"
Total driver displacement	-	-
Weight of one component	0,045 kg	0,099 lb
Voice coil \varnothing	20 mm	0,787"
Voice coil height	2 mm	0,118"
Cone	Soft	



FREQUENCY RESPONSE / IMPEDANCE



THIELE-SMALL PARAMETERS

effective \varnothing (d)	22 mm
Sd	3,80 cm ²
Xmax	-
Re	3 Ω
Fs	1651 Hz
Le	-
L2	-
Vas	-
Mms	-
Cms	-
BL	-
Qts	-
Qes	-
Qms	-
Sensitivity (dB/W/m)	86,7 dB

contact@blam-audio.com

www.facebook.com/blamaudio

www.blam-audio.fr